



Electric Water Pumps

40 Years / 40 Inventions and many more to come . . .

Home > Category > Electric Water Pumps > EWP115 (12V) ELECTRIC WATER PUMP - PART No: 8025



ewp115 (12v) electric water pump - part no: 8025

Price: \$285.00 |

1

ADD TO CART

QTY:

EWP115 Electric Water Pump

Part No: 8025

The EWP115 Electric Water Pump - univresal fit, do-it-yourself, easy to install water pump designed to replace or compliment your existing belt-driven mechanical water pump. By removing the parasitic power losses of a belt-driven water pump the EWP can provide up to 10kW of extra power, increased torque, increased cooling capacity, eliminating heat soak and provide better engine temperature control.

****INSTALLATION INSTRUCTIONS****

[VIEW CATALOGUE](#)

[SELECTION GUIDE](#)

[TECHNICAL GUIDE](#)

Order Summary

Total : \$0.00

Total Products : 0

Australian Dollars

[CHECKOUT](#)

[VIEW BASKET](#)

Electric Water Pump EWP[®]115 115 litres/min

Part #8025

The world's first universal-fit, automotive Electric Water Pump. Suitable for all makes and models but will excel on large six-cylinder V8 engines, heavy-duty 4WDs and most engines over 400HP.



Technical specifications

| | |
|-----------------------|--|
| Operating voltage | 3V DC to 15V DC |
| Maximum current | 10A |
| Flow rate (max) | 115 L/min (1822 US gal/hr) @ 13V DC |
| Operating temperature | -40° to 130°C (-40° to 266°F) |
| Pump design | Clockwise centrifugal with volute chamber |
| Motor life | 3,000 hours continuous at 80°C (176°F) and 12V DC; 7,000 hours with an EWP [®] /Fan Digital Controller |
| Pump weight | 980 grams (2.16 lb) |
| Pump material | Nylon 66, 30% glass-filled |
| Burst pressure | 500 kPa (72.5 psi) |
| Seal | Ceramic face seal |
| Fits hose sizes | 38mm to 51mm (1½" to 2") |



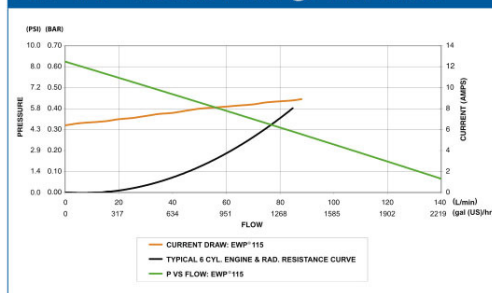
Kit contents

| Part # | Description | Qty |
|--------|---|-----|
| 8125 | EWP [®] 115 Pump | 1 |
| 8515 | Wiring harness | 1 |
| 8510 | Sleeve 3mm rubber adaptors | 2 |
| 8512 | Hose clamps | 2 |
| 8525 | Assorted hardware bag - includes relay #0533 | 1 |

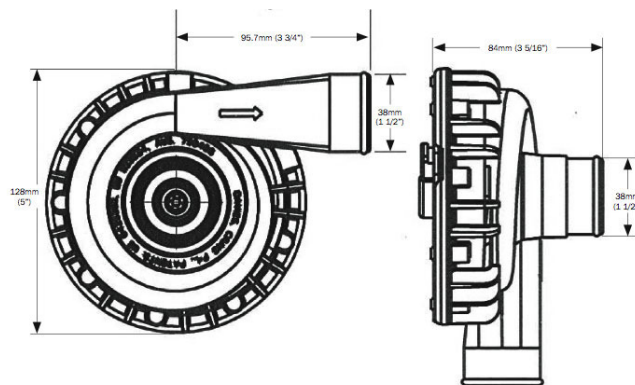
Option

| Part # | Description | Qty |
|--------|------------------|-----|
| 8505 | 90° Hose adaptor | 1 |

EWP[®]115 Pressure v Flow @ 13.0V Actual



Dimensions



The EWP[®] is a recirculating pump which is ideal for a 'closed system' similar to an automotive cooling system; it is not 'self-priming'.

12 | Davies, Craig CATALOGUE

Terms & Conditions
Copyright © 2008 | Website design by Simple I.D.